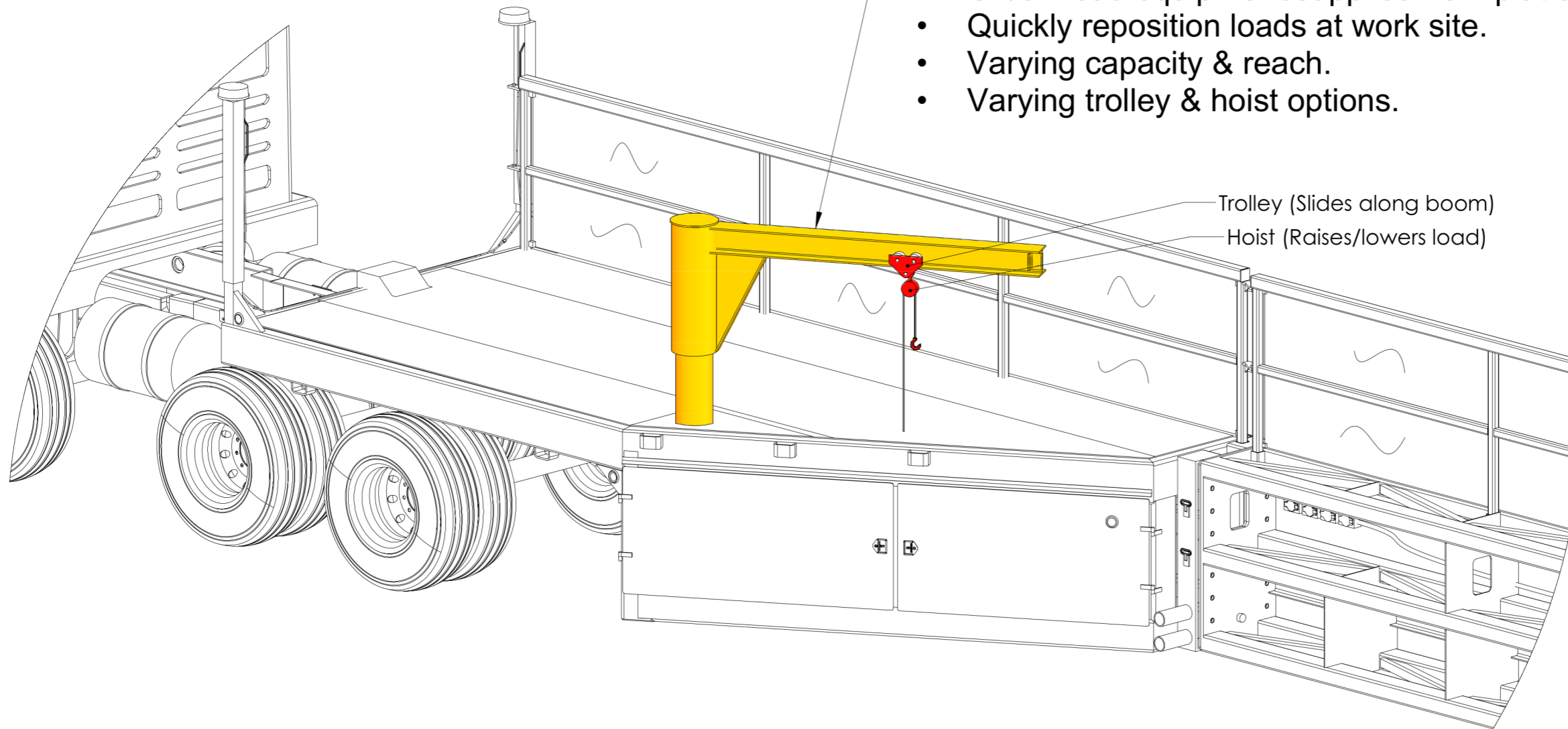


## Optional Jib Crane

- On/off-load equipment/supplies from platforms.
- Quickly reposition loads at work site.
- Varying capacity & reach.
- Varying trolley & hoist options.



Trolley (Slides along boom)

Hoist (Raises/lowers load)



Mobile Barriers LLC | Denver Offices: 24918 Genesee Trail Road | Golden, Colorado 80401  
| Phone 303-526-5995 | Fax 303-526-9959 | info@mobilebarriers.com | CAGE Code: 70N96  
www.mobilebarriers.com

MOBILE BARRIERS & Design, Lines and MBT-1 are Registered Trademarks. © 2007-2019  
Mobile Barriers LLC. All rights reserved. Subject to various patents & patents pending.

TITLE:

Mobile Barriers MBT-1  
with Jib Crane

DWG NO.

DW-JIB

SCALE: 1:60 DO NOT SCALE DRAWING